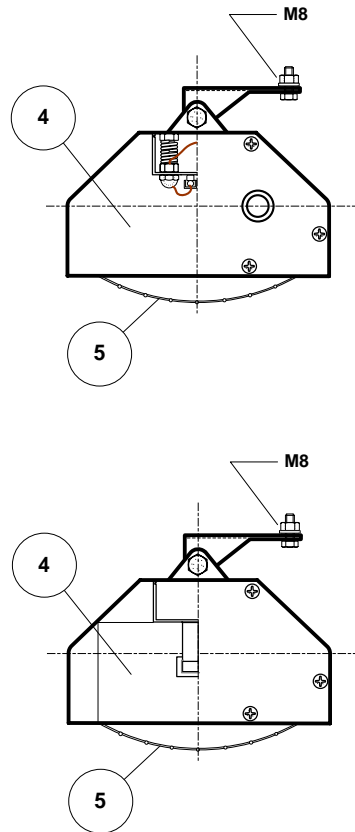
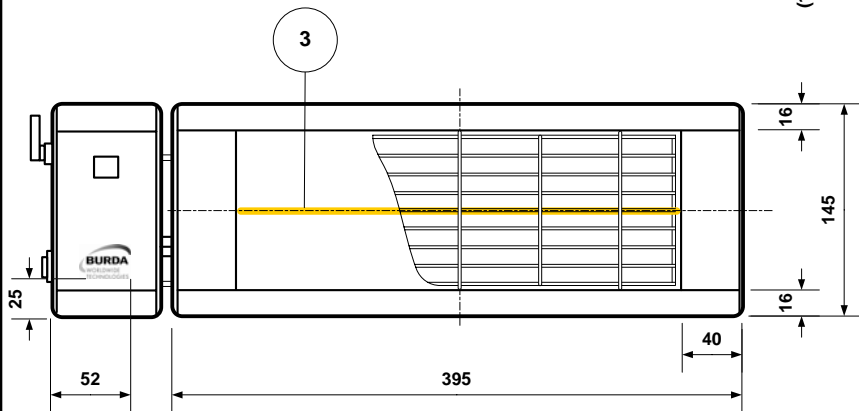
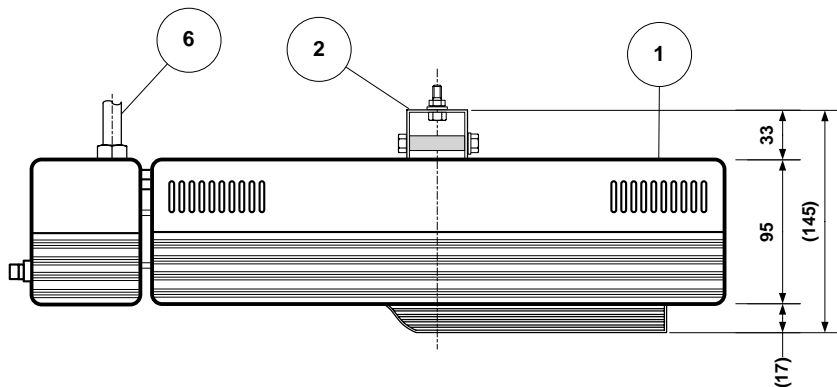
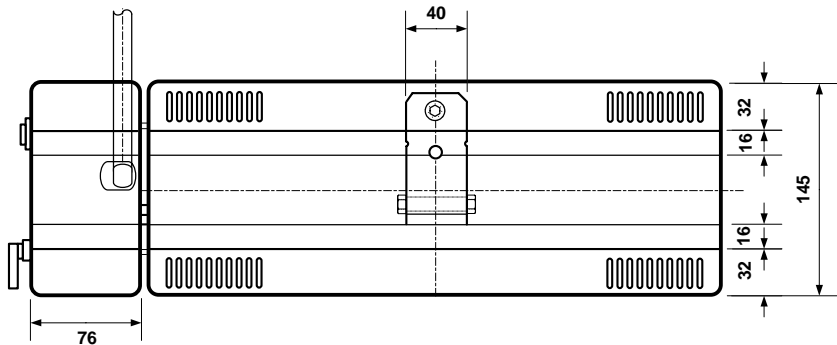
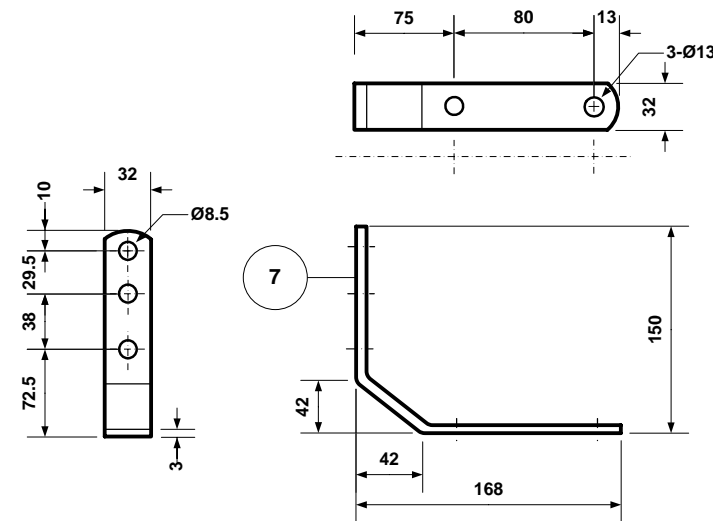


BT SMART 2000 IP24 CE



Modification			
No.	Description	Date	Remark



NO	ITEM	MATERIAL	Q'TY	SPEC
1	Body	Aluminum (AL 6063)	1	t=2.0
2	Bracket	SPCC (PO. SS#41)	1	t=2.0
3	Lamp	Quartz	1	230V 2000W
4	Reflector	Aluminum (AL SB#1050)	1	T=0.5
5	Safety grill	Stainless steel (SUS #201)	1	Φ 1.55 Cr Plating
6	Electric wire	Silicon (E-012)	1	3core x 1.5mm ² x 2m x plug
7	Fix prop (L Bracket)	Aluminum (AL 6063)	1	t=3.0

SPEC

- 1) Voltage : 230~240V
- 2) Wattage : 2000W ± 5%
- 3) Lamp Color Temperature (Coated) : 1600 ± 200K
- 4) Total Weight : 2.6Kg

WORKING CONDITION

- 1) Burning Position : Within Horizontal ±5°
- 2) Burning Cycle : Continuous or Intermittent
- 3) Burning Voltage : MAX 240V
- 4) Frequency : 50/60 Hz

LIFE

- 1) Life time : 5,000 hour (Normal Condition)

		NO.	DESCRIPTION	MAT'L	FINISH	Q'TY	REMARK
THIRD ANGLE PROJECTION		UNIT : mm					
SCALE : FREE		도면에 지정되지 않은 일반공차					
DRW	CHECKED	APPROVED	정밀급				보통급
SH.LEE			거친급		기준치수 (mm)	0.5이상 60이하	
			±0.05		±0.10	±0.20	±0.50
			±0.10		±0.20	±0.50	6.8등급 30이하
			±0.15		±0.30	±0.80	30초과 120이하
			±0.20		±0.50	±1.20	120초과 315이하
HANA HANA CO.,LTD			±0.30		±0.80	±2.00	315초과 1000이하
			±0.50		±1.20	±3.00	1000초과 2000이하